

CROSS SECTION IN ROADWAY

CROSS SECTION IN GRASS AREA

NOTE: ALL ROAD JOINTS TO BE SAW CUT AND SEALED WITH BITUMEN

PIPE DIAMETER 'A' (mm)	TRENCH WIDTH 'B' (mm)
< 80	SEE NOTE 10
100	500
150	600
200	600
250	750
300	750
350	750
400	900
450	900

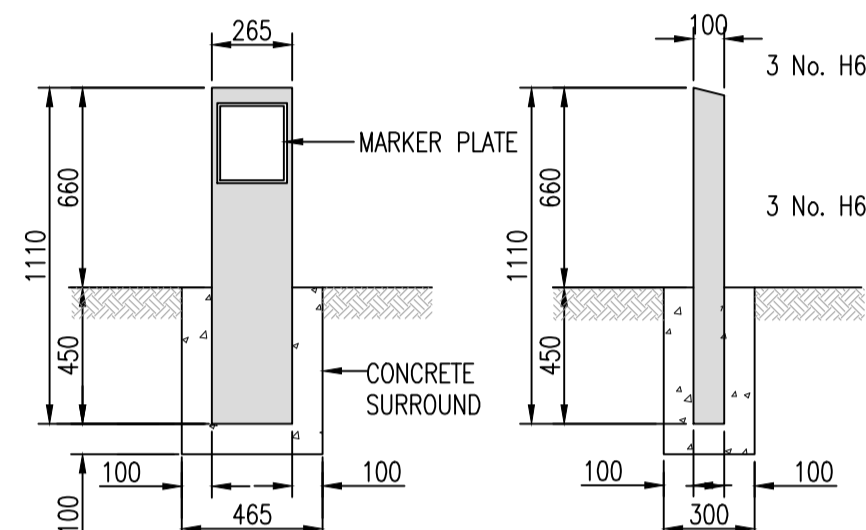
PIPE DIAMETER 'A' (mm)	DEPTH OF BEDDING 'C' (mm)
< 200	150
> 250	200

PIPE BEDDING NOTES:

- ALL DIMENSIONS ARE IN MILLIMETRES (mm) UNLESS NOTED OTHERWISE.
- THE MINIMUM DEPTH OF COVER FROM THE FINISHED GROUND LEVEL TO THE EXTERNAL CROWN OF THE PIPE SHALL BE 750mm FOR SERVICE CONNECTIONS, 900mm FOR WATER MAINS. GREATER DEPTHS OF COVER AND/OR PIPE STRENGTH AND/OR A HIGHER CLASS OF BEDDING MATERIAL MAY BE REQUIRED WHERE HIGH TRAFFIC LOADING IS ANTICIPATED. THE MAXIMUM COVER SHOULD NOT EXCEED 1,200mm WHERE PRACTICABLE.
- CLAUSE 808 MATERIAL IN ACCORDANCE WITH THE NATIONAL ROADS AUTHORITY SPECIFICATION FOR ROAD WORKS IS TO BE USED AS BACKFILL MATERIAL WHERE THE WATER MAIN IS LOCATED IN ROADS, FOOTPATHS OR WHEN THE NEAREST PART OF THE TRENCH IS WITHIN 1m OF THE PAVED EDGE OF THE ROADWAY. CLAUSE 808 IS TO BE COMPACTED AS PER CLAUSE 802 OF THE NATIONAL ROADS AUTHORITY SPECIFICATION FOR ROAD WORKS.
- SELECTED EXCAVATED MATERIAL MAY BE USED IN GREEN-FIELD AREAS ABOVE GRANULAR PIPE SURROUND MATERIAL SUBJECT TO THE APPROVAL OF IRISH WATER.
- PIPE BEDDING SHALL COMPLY WITH WIS 4-08-02 AND IGN 4-08-01 GRANULAR MATERIAL SHALL BE 14mm TO 5mm GRADED AGGREGATE OR 10mm SINGLE SIZED AGGREGATE TO IS EN 1242.
- IN SOFT GROUND CONDITIONS (CBR < 5) THE MATERIAL SHOULD BE EXCAVATED OUT AND DISPOSED OF IN ACCORDANCE WITH THE WASTE MANAGEMENT ACT AND CLAUSE 808 MATERIAL IN ACCORDANCE WITH THE NATIONAL ROADS AUTHORITY SPECIFICATION FOR ROAD WORKS SHALL REPLACE THE EXCAVATED MATERIAL, WRAPPED IN GEO-TEXTILE WRAPPING. ALTERNATIVELY, SPECIAL PIPE SUPPORT ARRANGEMENTS, INCLUDING PILING ETC. MAY BE REQUIRED WHERE THE DEPTH OF SOFT MATERIAL IS EXCESSIVE. SUCH ARRANGEMENTS SHALL BE SUBJECT TO ASSESSMENT BY IRISH WATER BEFORE ADVANCING WITH THE WORK.
- PIPES SHALL NOT BE SUPPORTED ON STONES OR ROCKS, OR ANY HARD OBJECT AT ANY POINT ALONG THE TRENCH. ROCK SHALL BE EXCAVATED TO A DEPTH OF 150mm BELOW THE ACTUAL DEPTH OF THE TRENCH WITH THE VOID FILLED WITH CLAUSE 804 MATERIAL IN ACCORDANCE WITH THE NATIONAL ROADS AUTHORITY SPECIFICATION FOR ROAD WORKS. THE GRANULAR MATERIAL SHALL BE LAID ABOVE THIS VOID BACKFILL MATERIAL.
- SHOULD MINIMUM COVER NOT BE ACHIEVABLE, CONCRETE GRADE C8/10 SHALL BE USED AS BACKFILL MATERIAL.
- MARKER TAPE TO BE 400mm WIDE BLUE POLYETHYLENE MATERIAL IN ACCORDANCE WITH EN 12163, PLASTIC PIPES SHALL HAVE WARNING TAPE INCORPORATED A REINFORCED BAND BRACING WIRE. SERVICE PIPES SHALL HAVE 200mm WIDE MESH TAPE. MARKER TAPE TO BE LAID AT A DISTANCE OF 350mm FROM SURFACE OF THE ROAD.
- TRENCH WIDTHS FOR PIPE SITES <80>> MAYBE 500mm SUBJECT TO CONSIDERATION BEING GIVEN TO THE TRENCH DEPTH HEALTH & SAFETY, CONSTRUCTION AREA REQUIREMENTS.

MARKER PLATES NOTES

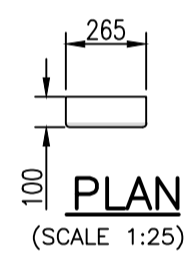
- WHERE PRACTICAL MARKER PLATES SHALL BE FIXED TO ADJACENT WALLS OR ALTERNATIVELY ATTACHED TO MARKER POSTS.
- PLATES TO BE FIXED IN POSITION USING WALL PLUGS AND STAINLESS STEEL SCREWS.
- MARKER PLATES TO BE MANUFACTURED IN ACCORDANCE WITH BS 3251.
- FOR HYDRANT PLATE ALL CHARACTERS SHOULD BE BLACK AND THE REMAINDER OF THE FRONT FACE SHOULD CONFORM TO COLOUR REFERENCE No. 309 (CANARY YELLOW) OF BS 381C.
- PIPE DIAMETER ON HYDRANT PLATE TO REFER TO WATERMAIN NOT BRANCH.
- SLUICE VALVE, AIR VALVE, SCOUR VALVE AND METER PLATES SHOULD BE CAST IRON. ALL CHARACTERS SHOULD BE BLACK ON WHITE PAINT BACKGROUND.
- CONCRETE SURROUND TO MARKER POST TO BE GRADE C25 / 30 AND IN ACCORDANCE WITH IS EN 206/2013.
- PLASTIC MARKER POSTS ARE NOT ACCEPTABLE.
- ALL CONCRETE TO BE IN ACCORDANCE WITH IS EN 206.



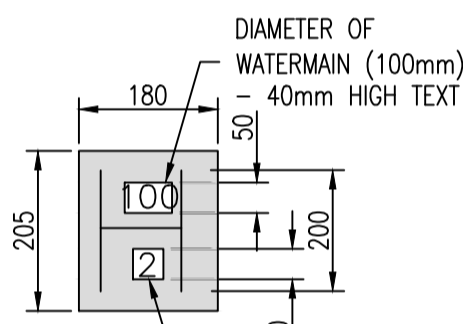
ELEVATION (SCALE 1:25)

SECTION (SCALE 1:25)

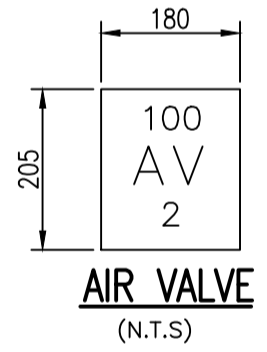
REINFORCEMENT DETAILS (SCALE 1:25)



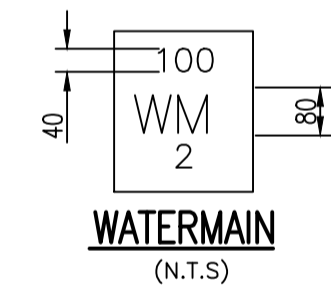
PLAN (SCALE 1:25)



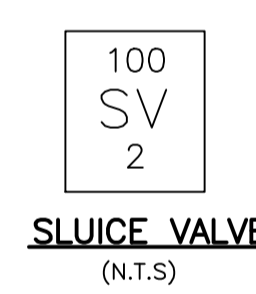
HYDRANT (N.T.S)



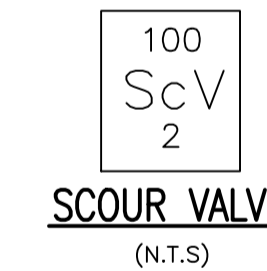
AIR VALVE (N.T.S)



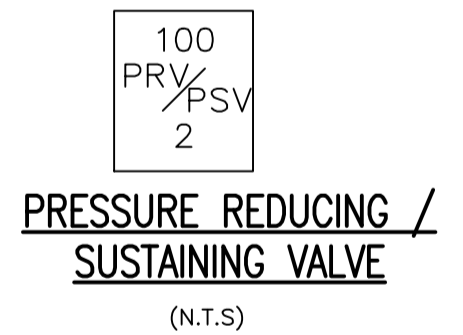
WATERMAIN (N.T.S)



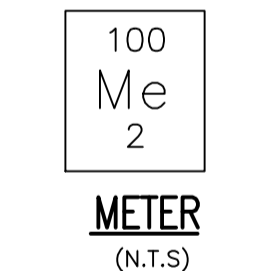
SLUICE VALVE (N.T.S)



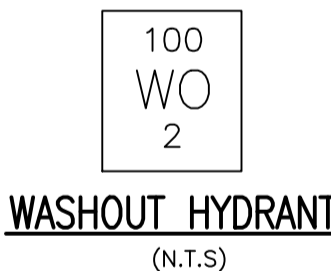
SCOUR VALVE (N.T.S)



PRESSURE REDUCING / SUSTAINING VALVE (N.T.S)

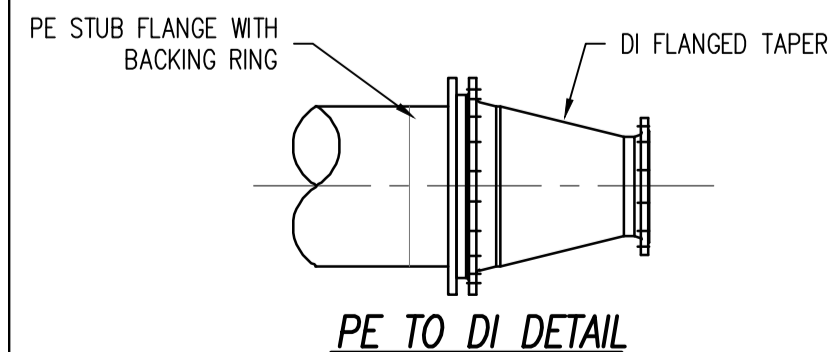


METER (N.T.S)

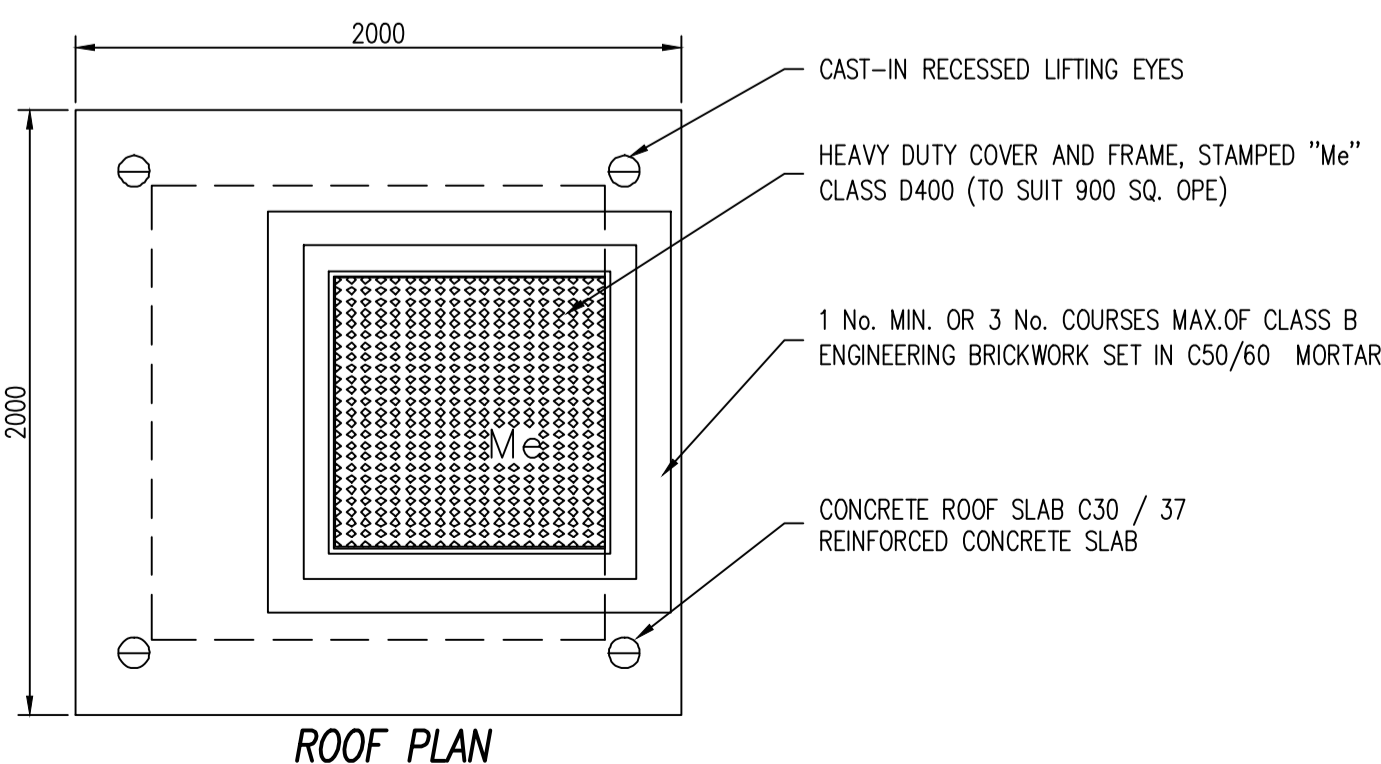


WASHOUT HYDRANT (N.T.S)

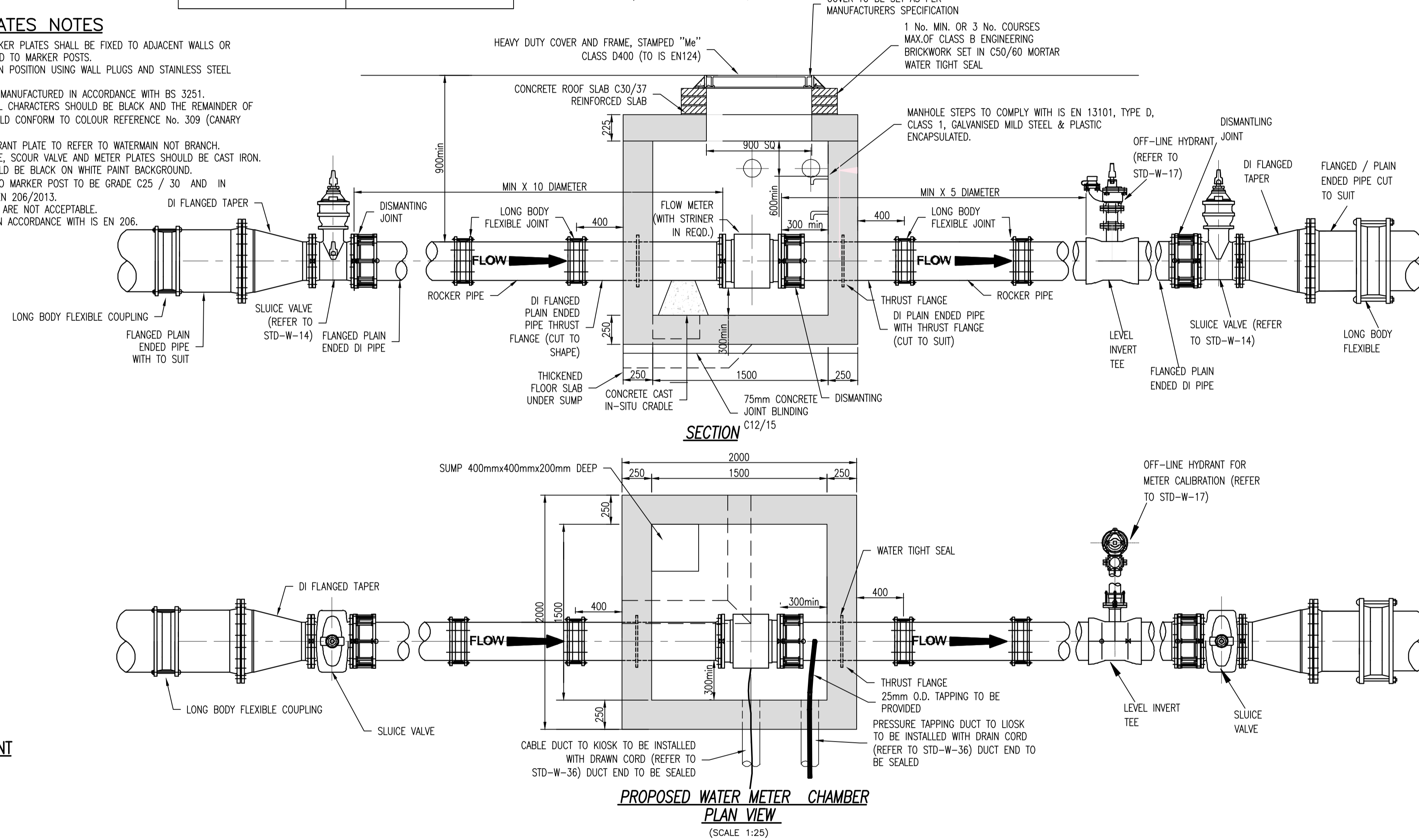
MARKER POST/PLATE DETAILS



PE TO DI DETAIL



ROOF PLAN

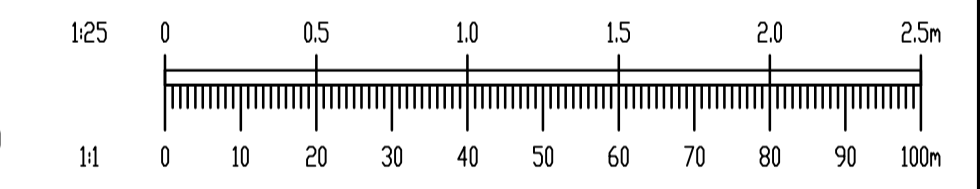


PROPOSED WATER METER CHAMBER PLAN VIEW (SCALE 1:25)

- ALL DIMENSIONS ARE IN MILLIMETRES (mm) UNLESS NOTED OTHERWISE.
- STRUCTURAL DESIGN AND REINFORCEMENT DETAIL TO BE PROVIDED BY THE DEVELOPER AND SUBMITTED TO IRISH WATER FOR REVIEW.
- CONCRETE FOR FLOW METER CHAMBER TO BE C30 / 37.
- PRECAST METER CHAMBER (WITH CONCRETE SURROUND) MAY BE USED SUBJECT TO APPROVAL FROM IRISH WATER.
- METER CHAMBER SHALL BE COVERED WITH APPROVED HEAVY DUTY METAL COVERS TO IS EN 124 RATING D400. COVER AND FRAME SHALL BE SUITABLE FOR ROAD AND TRAFFIC CONDITIONS AND IS SUBJECT TO THE APPROVAL OF IRISH WATER.
- 200mm ALL ROUND, 100mm DEEP CONCRETE PLINTH WITH PROTECTIVE STAINLESS STEEL METAL BAND AROUND COVER IN GRASS AREAS.
- ANTI CORROSION TAPE TO BE PROVIDED AROUND BURIED FLANGES.
- DUCTILE IRON PIPES AND FITTINGS TO BE IN ACCORDANCE WITH IS EN 545. PE PIPES AND FITTINGS TO BE IN ACCORDANCE WITH IS EN 12201:2011.
- ALL CHAMBERS TO BE CHECKED FOR UPLIFT BY THE DEVELOPER BASED ON GROUND CONDITIONS WITHIN THE SITE. SHOULD ANTI FLOTATION MEASURES BE REQUIRED THEY SHALL BE SUBJECT TO APPROVAL FROM IRISH WATER.
- PIPEWORK TO BE DOWN-SIZED TO ACCOMMODATE THE REQUIRED RANGE OF THE FLOW METER. STRAIGHT PIPE LENGTHS UPSTREAM AND DOWNSTREAM OF THE METER TO BE PROVIDED. IF THE METER IS NOT CAPABLE OF ACCURATE NIGHT FLOW MEASUREMENTS A BY-PASS FLOW METER SHALL BE PROVIDED WITH APPROPRIATE VALVES, FITTINGS AND PIPEWORK.
- ALL CONCRETE TO BE IN ACCORDANCE WITH IS EN 206.

NOTES:

- DO NOT SCALE. USE FIGURED DIMENSIONS ONLY.
- THIS DRAWING IS TO BE READ IN CONJUNCTION WITH ALL OTHER RELEVANT ARCHITECTURAL AND ENGINEERING DRAWINGS.
- WATERMANS SHALL BE LAID IN ACCORDANCE WITH THE LOCAL AUTHORITY / IRISH WATER SPECIFICATION FOR THE LAYING OF NEW WATERMANS AND BYLAWS WHICH OVER-RIDE THESE NOTES. THE CONSTRUCTION OF THE WATERMAIN SHALL BE IN ACCORDANCE WITH THE BEST CURRENT PRACTICE AND THE LATEST EDITIONS OF THE RELEVANT STANDARDS AND CODES OF PRACTICE.
- WATERMANS SHALL NOT BE LAID UNDER WALLS OR AREAS DESIGNATED FOR TREES/SHRUBS/FLOWERS.
- PIPES SHALL BE HDPE (BLUE PIPE) UNLESS NOTED OTHERWISE BY AGREEMENT WITH THE LOCAL AUTHORITY. DUCTILE IRON PIPES SHALL BE USED UNDER ROADS OF CLASSIFICATION "DISTRICT DISTRIBUTOR" UPWARDS UNLESS NOTED OTHERWISE.
- PIPES SHALL CONFORM TO THE UK WATER INDUSTRY SPECIFICATION OR EQUIVALENT E.U. SPECIFICATION.
- DUCTILE IRON (DI) PIPES SHALL CONFORM TO IS EN 545 AND SHALL HAVE MINIMUM C40 PRESSURE RATING. DUCTILE IRON FITTINGS SHALL HAVE 16 BAR RATING AT LEAST DI PIPEWORK SHALL BE COATED INTERNALLY WITH A BLAST FURNACE CEMENT LINING WHICH COMPRISSES WITH THE REQUIREMENTS OF BS 6920. EXTERNAL PROTECTION SHALL INCLUDE AN ALLOY OF 70NC AND ALUMINUM WITH A MINIMUM 15% ALUMINUM WITH OR WITHOUT OTHER MATERIALS HAVING A MASS OF 400g/m² COMPLETE WITH A FINISHING LAYER OF BLUE FUSION BONDED EPOXY IN ACCORDANCE WITH IS EN 14901.
- WATERMANS SHALL BE LAID UNDER FOOTPATHS PREFERABLY OR GRASS MARGINS WHERE APPROVED. NO PIPE, CONDUIT, CABLE OR OTHER SERVICE SHALL BE LAID LONGITUDINALLY OVER THE LINE OF A WATERMAIN. NO CABINET POLES, JUNCTION BOXES OR CHAMBERS SHALL BE CONSTRUCTED OVER A WATERMAIN.
- THE MINIMUM COVER TO A WATERMAIN SHALL BE 750mm, THE MAXIMUM COVER SHALL BE 900mm UNLESS NOTED OTHERWISE.
- CONNECTIONS TO THE MAINS WHICH ARE THE PROPERTY OF THE IRISH WATER CAN BE MADE BY THE IRISH WATER ONLY. NO OTHER PERSON MAY INTERFERE IN ANY WAY WITH THESE MAINS. SUCH CONNECTIONS WILL BE MADE BY IRISH WATER AT THE EXPENSE OF THE PERSONS REQUIRING THEM. THE ESTIMATED COST OF SUCH CONNECTIONS MUST BE LODGED WITH IRISH WATER BEFORE THE WORK IS UNDERTAKEN.
- IT IS THE CONTRACTORS RESPONSIBILITY TO ENSURE THAT ALL WORKS ARE CONSTRUCTED IN ACCORDANCE WITH THE IRISH WATER CODE OF PRACTICE AND STANDARD DETAILS. THE CODE OF PRACTICE AND STANDARD DETAILS ARE AVAILABLE TO DOWNLOAD FROM THE IRISH WATER WEB SITE AT WWW.WATER.IE/CONNECTIONS/DEVELOPER-SERVICES/ WHERE THE DETAILS CONTAINED ON THIS DRAWING DIFFER FROM THE IRISH WATER CODE OF PRACTICE OR STANDARD DETAILS THIS MUST BE BROUGHT TO THE ATTENTION OF THE ENGINEER IMMEDIATELY. IRISH WATER STANDARDS WILL TAKE PRECEDENCE



REV.	DATE	AMENDMENT	DRN	APPD
C	10/09/19	PLANNING ISSUE	GB	EC
B	14/06/19	AMENDMENTS ON FOOT OF COMMENTS FROM IRISH WATER	GB	BW
A	14/05/19	IRISH WATER SUBMISSION	GB	BW

STATUS **FOR PLANNING ONLY NOT FOR CONSTRUCTION**

Waterman Moylan
Engineering Consultants

BLOCK 9, EASTPOINT BUSINESS PARK, ALFIE BYRNE ROAD, DUBLIN D03 K7W7 IRELAND.
Tel: (01) 664 8900 Fax: (01) 661 3618
Email: info@waterman-moylan.ie www.waterman-moylan.ie

CLIENT **TRALFORD LTD**
ARCHITECT **NDBA ARCHITECTS**

PROJECT **PROPOSED RESIDENTIAL DEVELOPMENT, RATHMULLAN, DROGHEDA**

TITLE **TYPICAL WATER SUPPLY CONSTRUCTION DETAILS SHEET 1 OF 3**

DRAWN	DESIGNED	APPROVED	DATE
G.Byrne	BW	J.G.	AUG. '19
SCALE	JOB NO.	DRG. NO.	REVISION
AS SHOWN @A1	18-014	P045	C