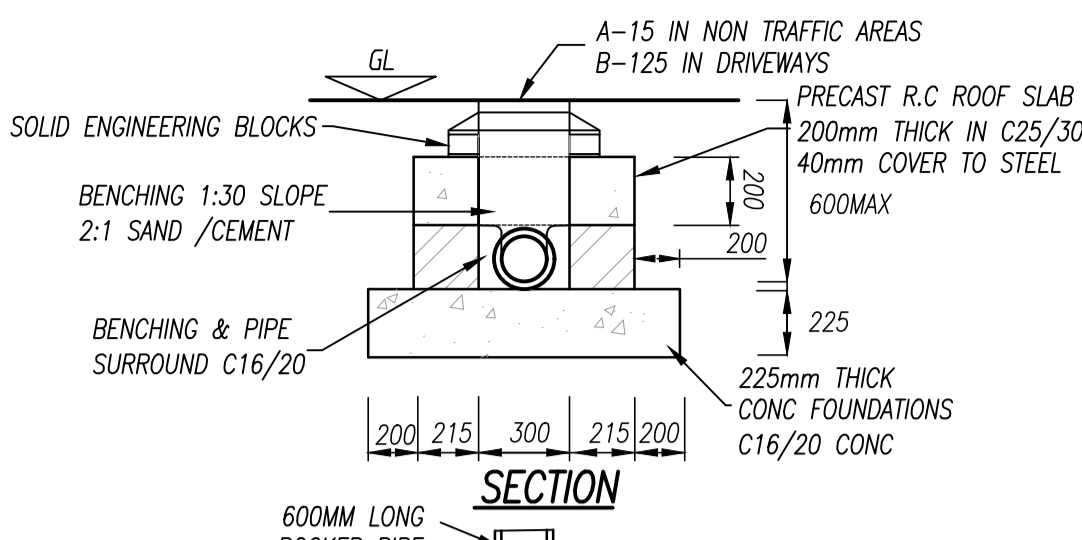
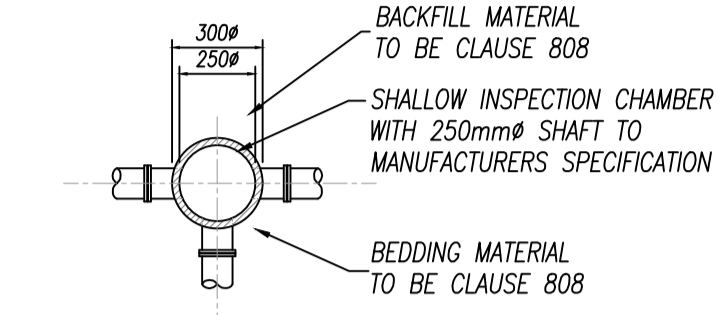
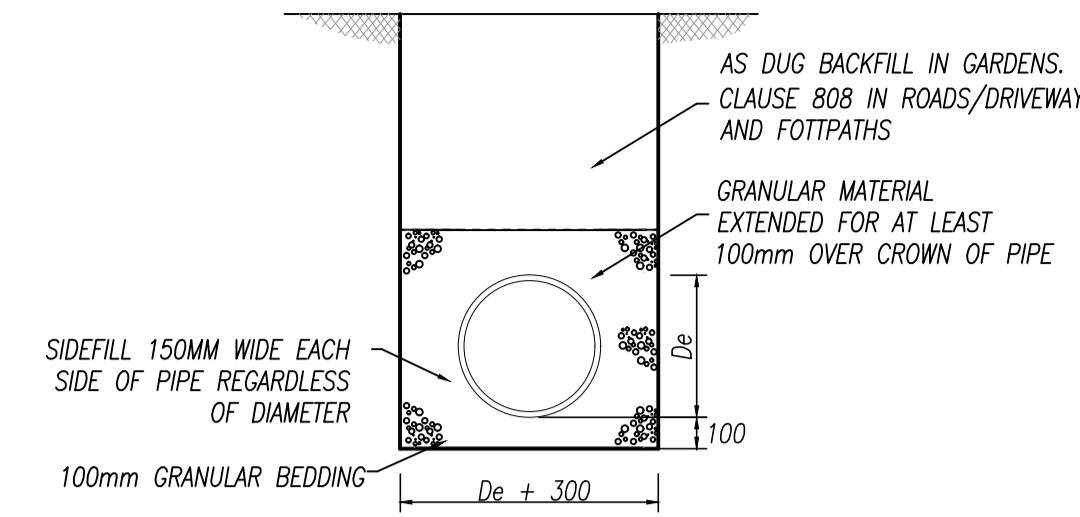
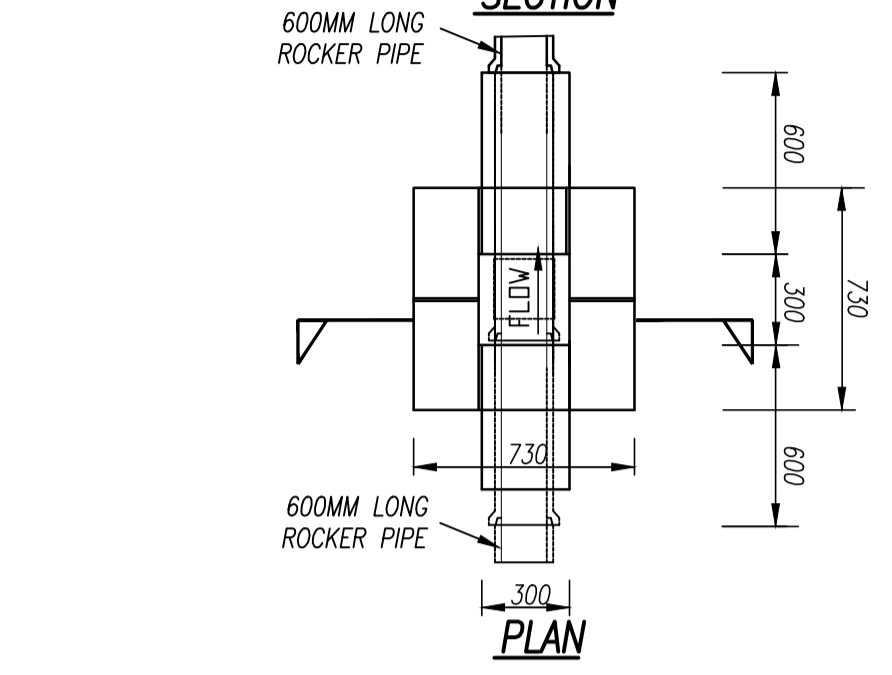


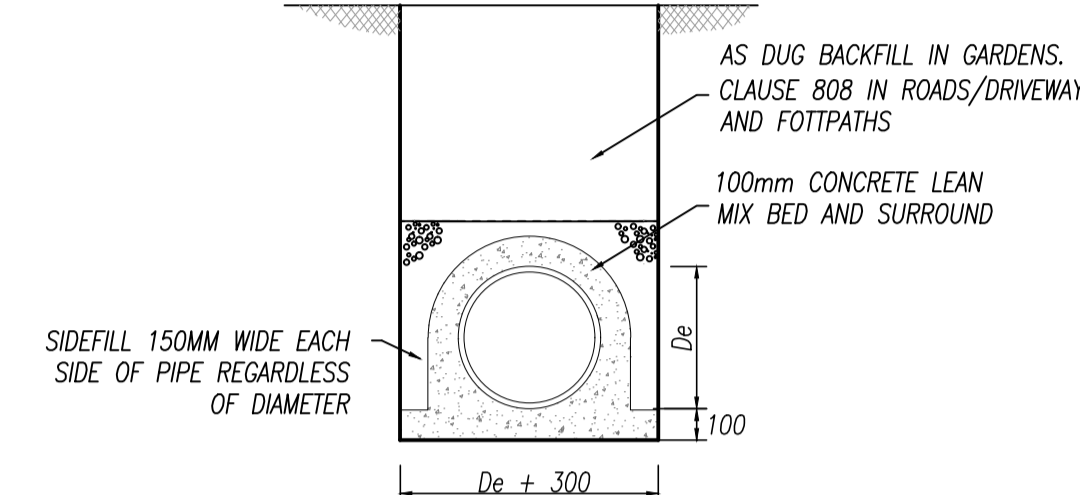
**PLAN**  
CIRCULAR INSPECTION CHAMBER WHERE  
INVERT IS 0.6m OR LESS BUILDING  
REGULATIONS TGD SECTION H TABLE 9  
SCALE 1:25



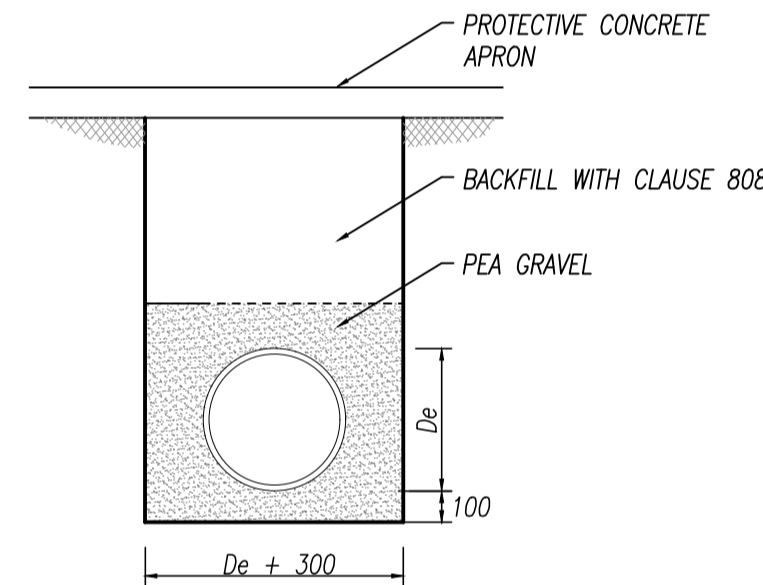
**SECTION**  
INSPECTION CHAMBER WHERE INVERT IS 0.6m OR LESS  
BUILDING REGULATIONS TGD SECTION H TABLE 9  
SCALE 1:25



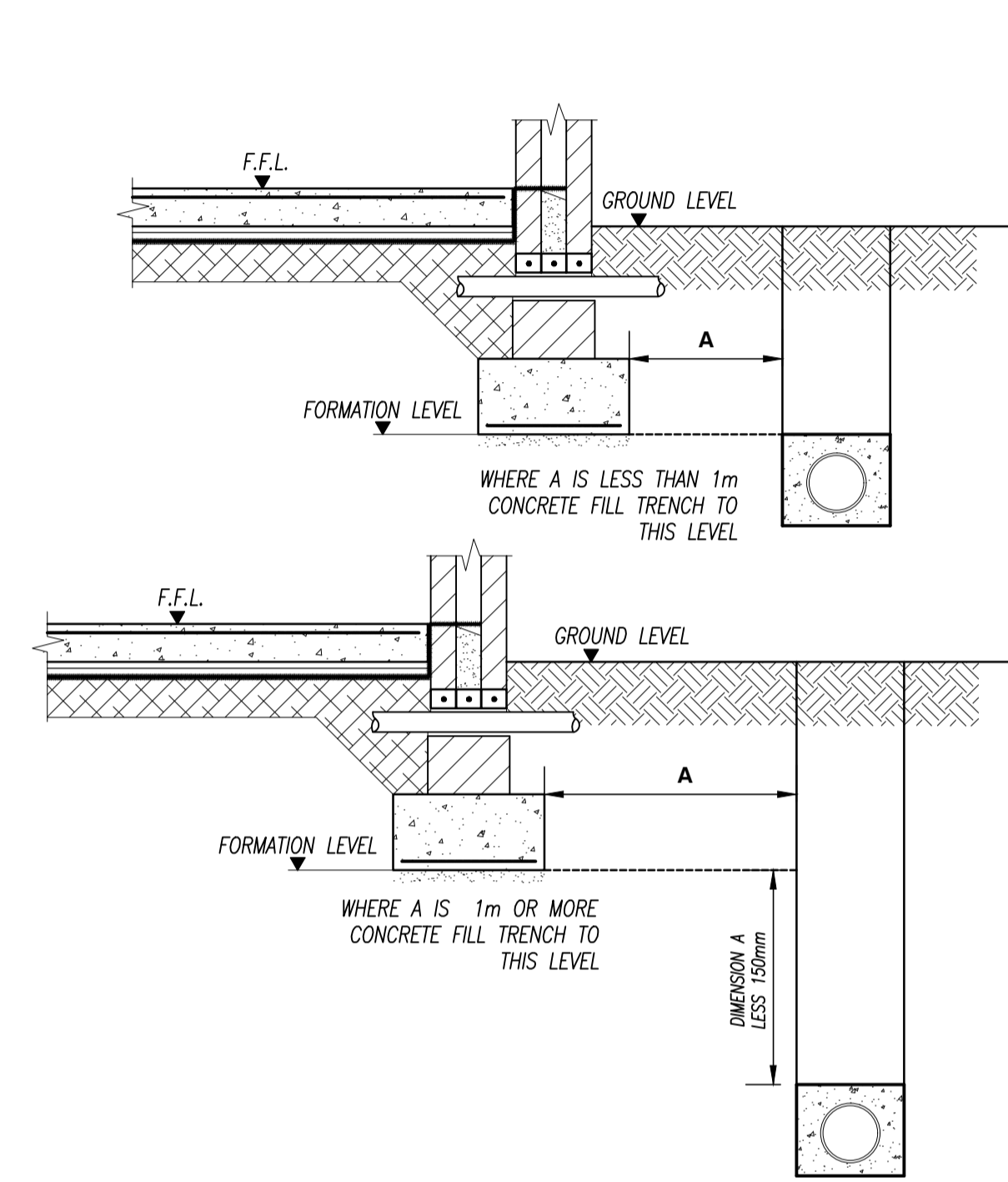
**PIPES BEDDED IN GRANULAR MATERIAL**  
COVER > 0.9m IN ROADS  
COVER > 0.6m IN GARDENS  
SCALE 1:25



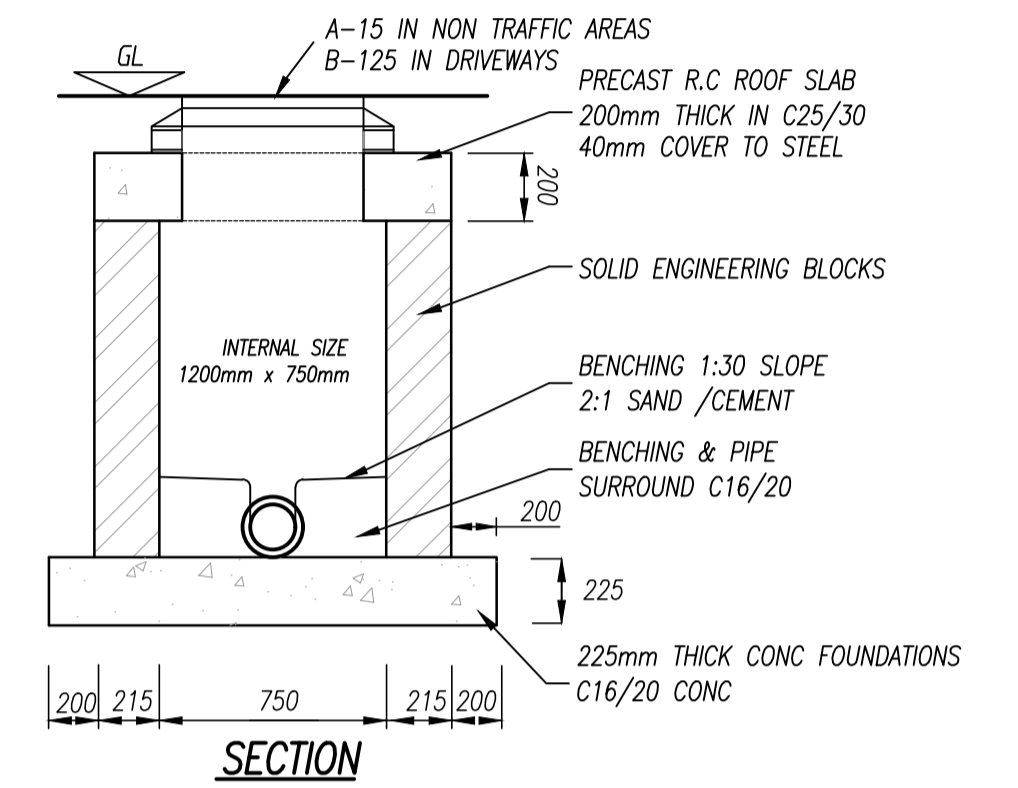
**PIPES BEDDED IN GRANULAR MATERIAL**  
COVER < 0.9m IN ROADS  
COVER < 0.6m IN GARDENS  
SCALE 1:25



**PIPES BEDDING ALTERNATIVE DETAIL**  
COVER < 0.9m IN ROADS  
COVER < 0.6m IN GARDENS  
SCALE 1:25



**TYPICAL DETAIL WHERE PIPE RUNS NEAR BUILDINGS**  
SCALE 1:25



**INSPECTION CHAMBER DEPTH TO INVERT IS BETWEEN 1m AND 2.7m BUILDING REGULATIONS TGD SECTION H TABLE 9**  
SCALE 1:25

REV.	DATE	AMENDMENT	DRN	APPD
------	------	-----------	-----	------

STATUS **FOR PLANNING ONLY**  
**NOT FOR CONSTRUCTION**

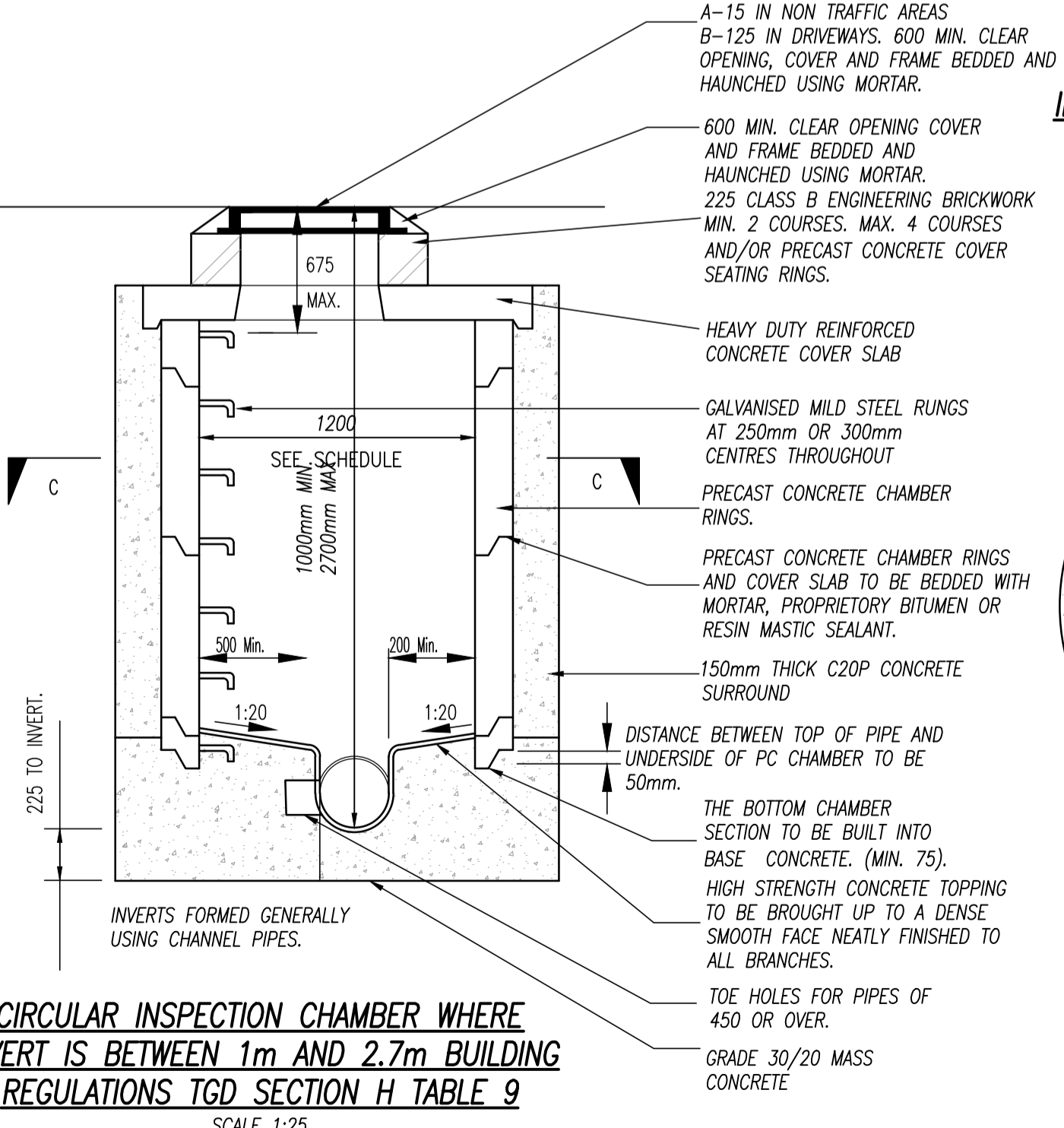
**Waterman Moylan**  
Engineering Consultants  
BLOCK S, EASTPOINT BUSINESS PARK, ALFIE BYRNE ROAD,  
DUBLIN D03 H3F4 IRELAND.  
Tel: (01) 664 8900 Fax: (01) 661 3618  
Email: info@waterman-moylan.ie www.waterman-moylan.ie

CLIENT **TRAILFORD LTD**  
ARCHITECT **NDBA ARCHITECTS**

PROJECT **PROPOSED RESIDENTIAL DEVELOPMENT,  
RATHMULLAN,  
DROGHEDA**

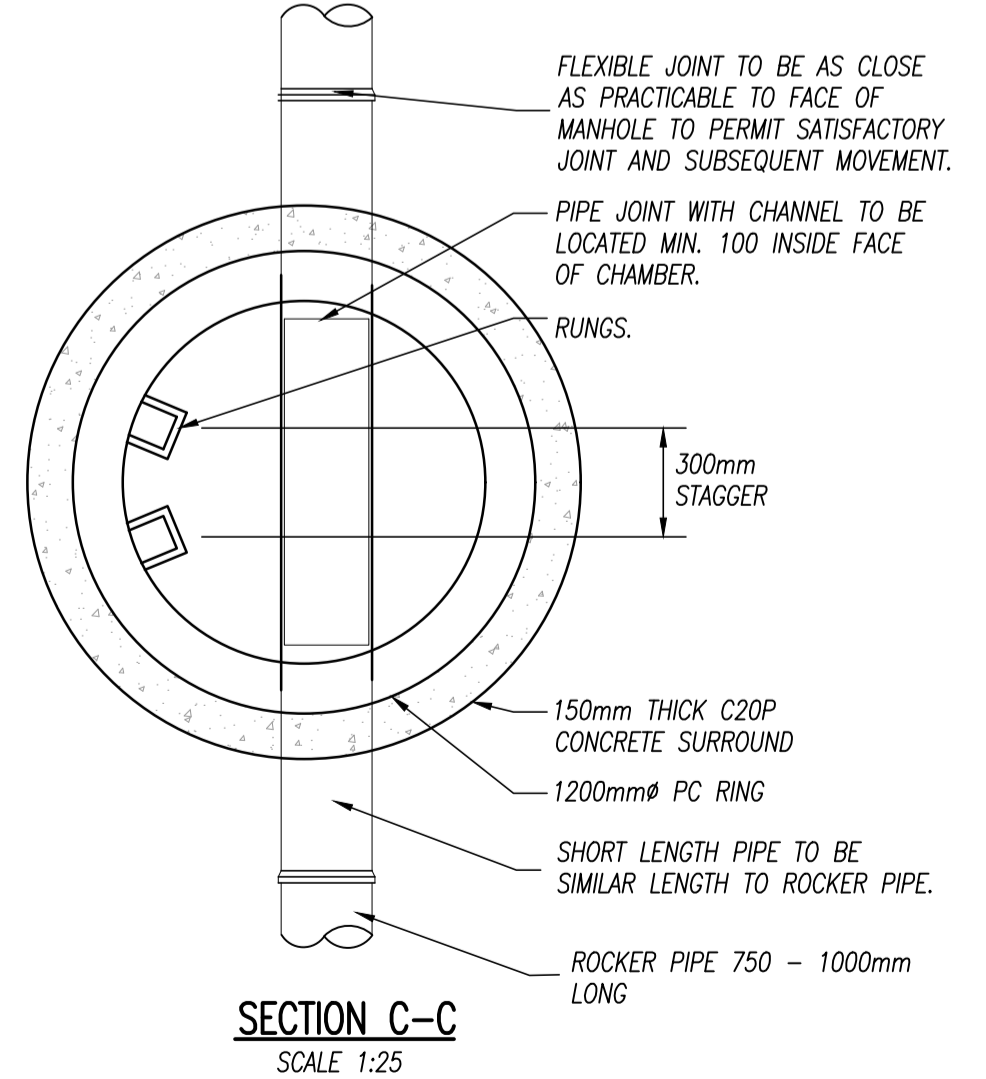
TITLE **PRIVATE SURFACE WATER DRAINAGE DETAILS**

DRAWN <b>G.Byrne</b>	DESIGNED <b>BW</b>	APPROVED <b>J.G.</b>	DATE <b>AUG. '19</b>
SCALE <b>AS SHOWN</b>	JOB NO. <b>18-014</b>	DRG. NO. <b>P028</b>	REVISION



**CIRCULAR INSPECTION CHAMBER WHERE INVERT IS BETWEEN 1m AND 2.7m BUILDING REGULATIONS TGD SECTION H TABLE 9**  
SCALE 1:25

**INSPECTION CHAMBER WHERE INVERT IS 1m OR LESS BUILDING REGULATIONS TGD SECTION H TABLE 9**  
SCALE 1:25



Type	Depth to (m)	Internal Sizes		Cover Sizes	
		length x width (mm x mm)	Circular (mm)	length x width (mm x mm)	Circular (mm)
Rodding eye					
Access Fitting					
small	0.6 or less	150 x 100	150	150 x 100	150
large		300 x 100	-	300 x 100	-
Inspection Chamber	0.6 or less	300 x 300	190*	300 x 300	190*
	1.0 or less	450 x 450	450	450 x 450	450**
Manhole	1.5 or less	1200 x 750	1000	600 x 600	600
	over 1.5	1200 x 750	1200	600 x 600	600
	over 2.7	1200 x 840	1200	600 x 600	600
Shaft	over 2.7	900 x 840	900	600 x 600	600

Note:  
\* For clayware or plastics may be reduced to 430mm in order to provide support for cover and frame  
\*\* Drains up to 150mm

